

Tool Check List

- Marking Pencil
- Hammer
- Phillips Screwdriver

- Tape Measure
- Post Hole Digger
- Power Saw

- String Line
- Level
- Gloves

Where To Start

Find your property lines accurately by using plot or metal property pins. Wooden stakes may not always be precise. You can obtain plot maps from your builder or local city/county planning departments. If you're unable to locate the property lines, it's advisable to have your lot surveyed to avoid installing your fence on your neighbor's property. **If screws are being used in place of nails then replace all nails in this guide with #8 x 1 1/2" (Star drives).**

1. Spacing the Posts Properly

Typically, fence posts should be placed about 8 feet apart. The exact spacing will vary based on the length of each section. Divide the length of your run into 8-foot sections, ensuring not to exceed that length. Keep in mind that you can slightly adjust for accuracy. Since your posts are 3 1/2 inches wide:

Example A) For an 80-foot run: Divide 80 by 8, giving you 10 sections at 8 feet on center, with 92 1/2 inches between posts.

Example B) For an 82-foot run: Divide 82 by 8, resulting in 10 sections at 8 1/2 feet on center, with 95 inches between posts.

Begin by setting the corner or end posts first. Use a string line to ensure proper alignment of all posts between the corner or end posts. **(Figure 1)** Stretch the string line from each corner or end post. Drive a stake approximately every 8 feet at the precise position where each post hole is to be dug. Take your time to measure and position the posts accurately. The appearance and structural integrity of the entire fence rely on the precise positioning of the posts.

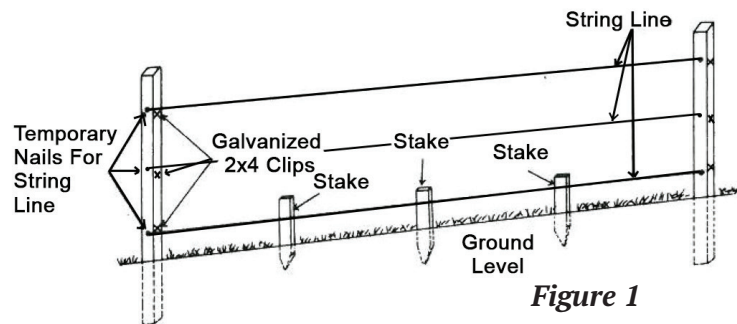
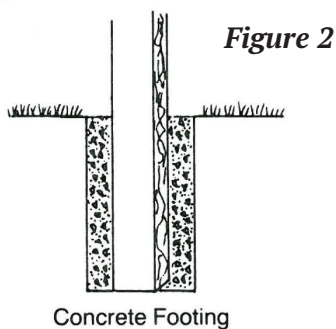


Figure 1

2. Setting the Fence Posts

Begin by setting all wood fence posts with approximately 2 feet buried in the ground. **(Figure 2)** Use an 11-inch post hole digger or auger to dig the holes straight to the proper depth and correct location. String a line between the corners and the end posts flush with the top to ensure the fence stays flat on top. It's easier and better to use a top string line and flush all the posts to it. Set corner and end posts 1 to 2 inches higher than the desired height of the fence to prevent the bottom of the fence boards from touching the ground. Pack the posts with concrete, ensuring concrete is applied along the sides.



Concrete Footing

2. Setting the Fence Posts (continued)

“Dry” set all posts first, then water down each post several times with a garden hose until water stops disappearing into the concrete. Typically, posts should be allowed to stand for several days to settle into position before completing the fence. However, small sections of fence can be finished in one day. Simply wait until the fence is complete, re-level the posts, and then water down the concrete again. After watering down the posts, avoid working on the fence for 2–3 days to allow the concrete to set properly.

3. Installation of Fence Clips

Use #6 galvanized box nails $1\frac{3}{4}$ inches long to attach the clips to the posts. Secure the 2x4 fir rail to the clip using #4 galvanized box nails $1\frac{1}{4}$ inches long. Generally, position the upper clip 12 inches down from the top of the post to the top of the clip, place the middle rail clip with the top of the clip 36 inches from the top of the post, and the lower clip 60 inches down from the top of the post to the bottom of the clip. **(Figure 3)** Measurements are based on 6 ft. tall fences. Shorter fences require different spacing.

If your fence style includes a top cap, ensure the top clip is flush with the top of the post, and place the middle rail clip with the top of the clip 30 inches from the top of the post.

Using a string line can assist in setting the clips. Anchor it at the proper height to the end post. Stretch it tight and anchor it to the opposite end post to keep the rails straight and aligned. **(Figure 4)**

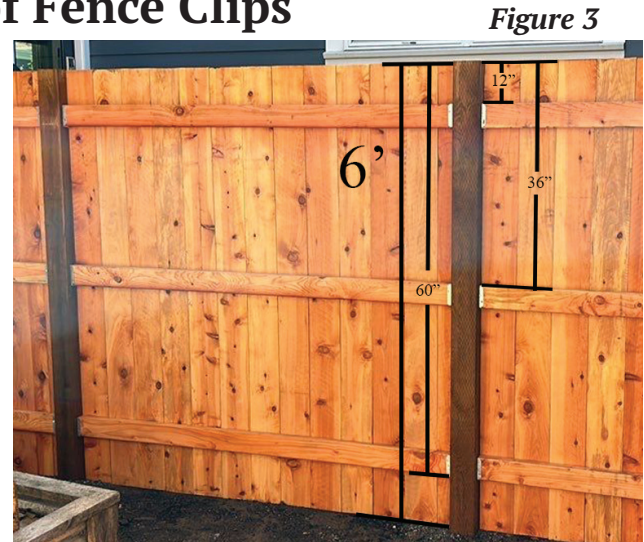


Figure 3

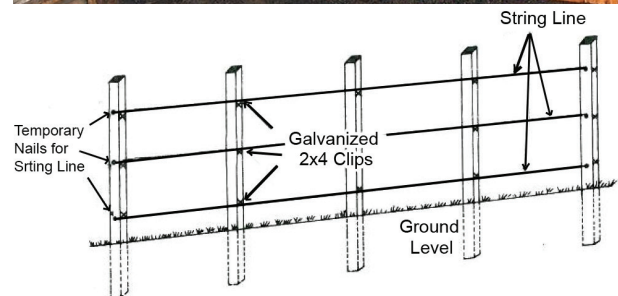


Figure 4

4. Installing the Fir Rails

Mark each 2x4 rail while holding it in place between the two posts. Trim the rail at the marks and set in place. Secure with #4 galvanized box nails or screws at least $1\frac{1}{4}$ inches long.

5. Installing the Boards

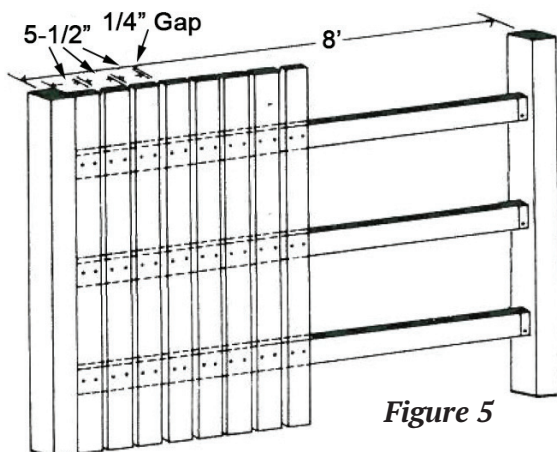


Figure 5

Start by placing the first board flush against the post. Space the remaining boards evenly, leaving at least a $\frac{1}{4}$ inch gap between each board to allow wind to pass through. **(Figure 5)** Using a smaller gap or no gap will require additional boards. For $\frac{3}{4}$ inch boards, secure them to the rail with four #6 galvanized box nails. For $\frac{1}{2}$ inch boards, use #5 galvanized nails $1\frac{1}{2}$ inches long.

If you prefer to cover the posts with the boards, ensure the clips are flush with the front edge of the posts, and be prepared to purchase extra boards to accommodate this method.