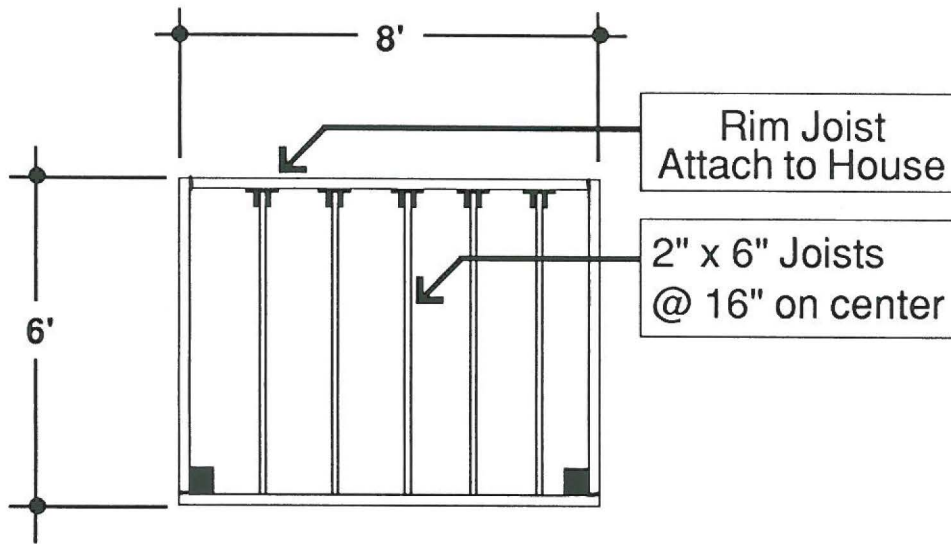
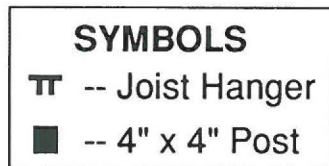


8'x6'

ARMADILLO MATERIAL DECK PACKAGE



Deck Framing Layout



MATERIAL LIST

7	2"x6"x6' P.T. Fir
2	2"x6"x8' P.T. Fir
5	2"x6" Joist Hangers
2	4"x4"x2' P.T. Fir
2 bg	Concrete, Pre-mix
13	5/4"x6"x8' Decking
84	Deck Clips & Screw
.5 lb	#16 Box Nails
.5 lb	Teco Nails (for Joist Hgrs)
14	2-1/2" Screws

RICK'S
CUSTOM FENCING & DECKING

www.RicksFencing.com

HILLSBORO	(503) 640-5434
GRESHAM	(503) 669-0795
SALEM	(503) 463-8331
VANCOUVER	(360) 253-3792
TRI-CITIES	(509) 736-3325

See Deck Brochure for Complete Installation Instructions